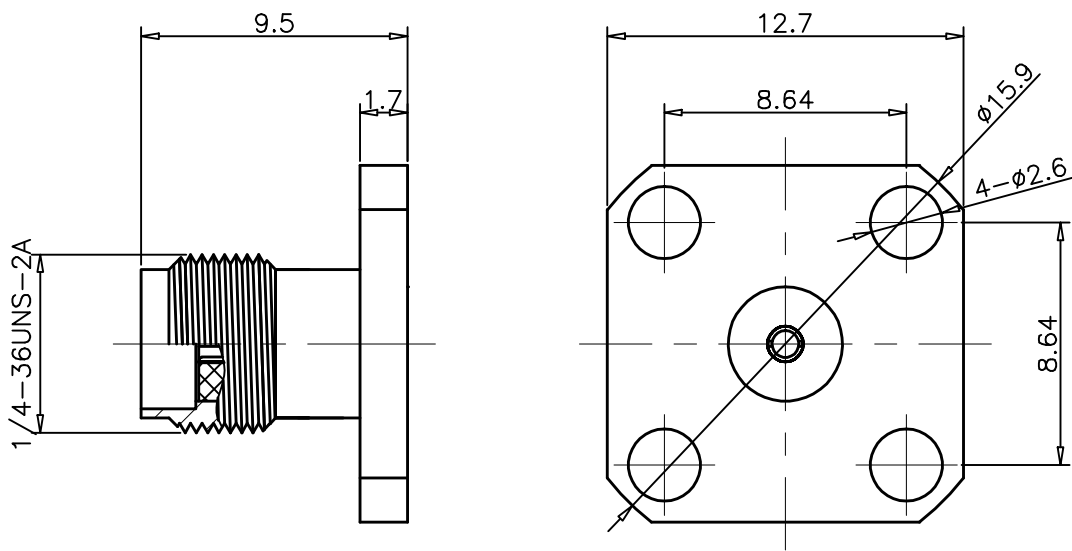


| 1 | 2 | 3 | 4 | |
|-------|---------------|---------|-----------|---------|
| RevNo | Revision note | Date | Signature | Checked |
| 00 | Sketch Only | 6/16/14 | Teresa | Simon |



Interface Per: Interface Per: MIL-STD-348, IEC 60169-15
 Material & Finishing:
 1. Center conductor: Beryllium Copper, Gold Plating
 2. Insulators: PTFE
 3. Body : Brass, Gold Plating

RoHS Compliant.

ALL DIMENSIONS ARE IN MILLIMETERS AND [INCHES]

KERUI ELECTRONIC CO;LTD

Title
SMA female flange mounted receptacle

THESE DRAWING & SPEC. ARE THE PROPERTY OF KERUI ELECTRONIC CO;LTD AND SHALL NOT BE REPRODUCED, OR COPIED OR USED AS THE BASIS FOR THE MANUFACTURE OR SALE OF APPARATUS OR DEVICES WITHOUT THEIR EXPRESS WRITTEN CONSENT.

UNLESS OTHERWISE NOTED ALL SURFACES FINISHED TO 64/MAX.
 ALL TOLERANCES ARE:
 DECIMALS FRACTIONS ANGLES
 x ± 1.0 ±1/64 x' ± 1°
 x.x ± 0.5 x'x' ± 0.5°
 x.xx ± 0.1

| | | | |
|--------------------|-----------------|--------------------|-------------------|
| Drawn by Teresa | Ckd by Simon | Appd by Richard | Date 6/16/2014 |
|--------------------|-----------------|--------------------|-------------------|

| | | |
|--------------|--------------|----------------|
| Scale 4:1 | Sheet 1 of 1 | 10 1121 042 03 |
|--------------|--------------|----------------|